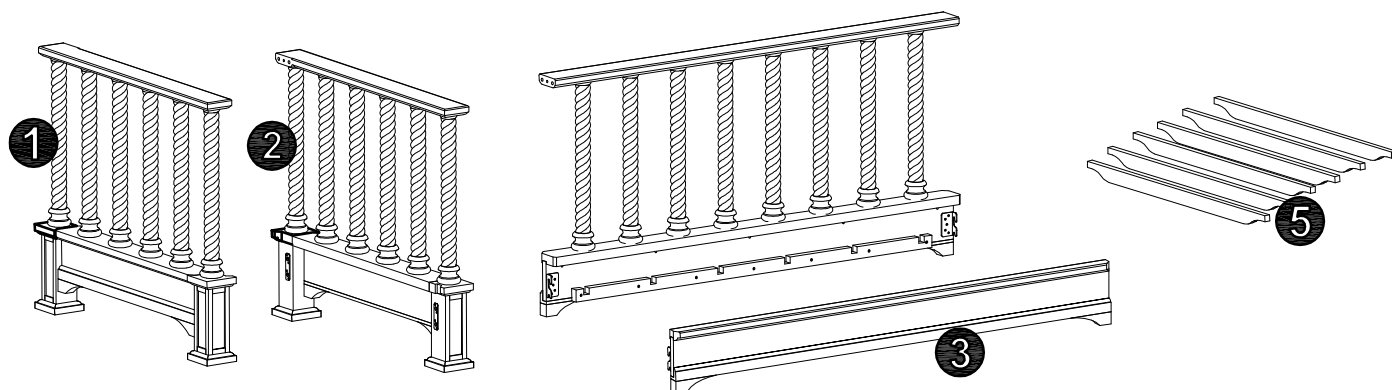


REVELATION


by UTTERMOST


ASSEMBLY INSTRUCTION FOR ITEM #R25706




A 
Hexagonal Bolt
M8 x 50mm = 2 pcs.

B 
Hexagonal Bolt
M8 x 20mm = 8 pcs.

C 
Spring Washer
Ø13 x M8 = 10 pcs.

D 
Flat Washer
Ø17 x M8 = 10 pcs.

E 
Wrench = 1pc.

